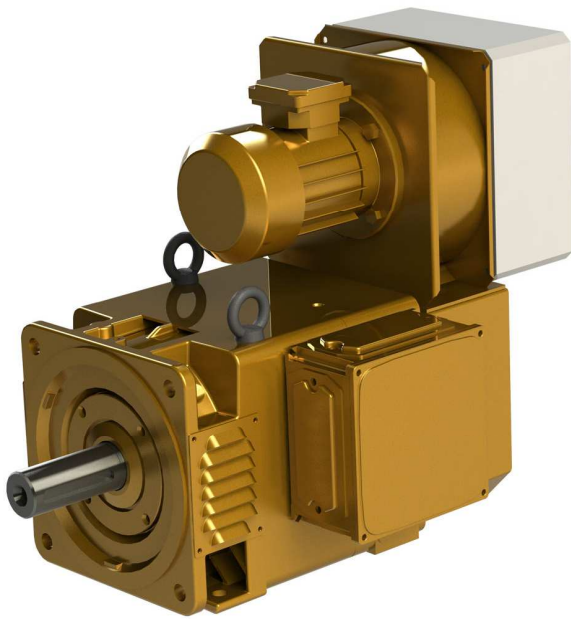


POWERTECH SY4 TETRAVEC 132K

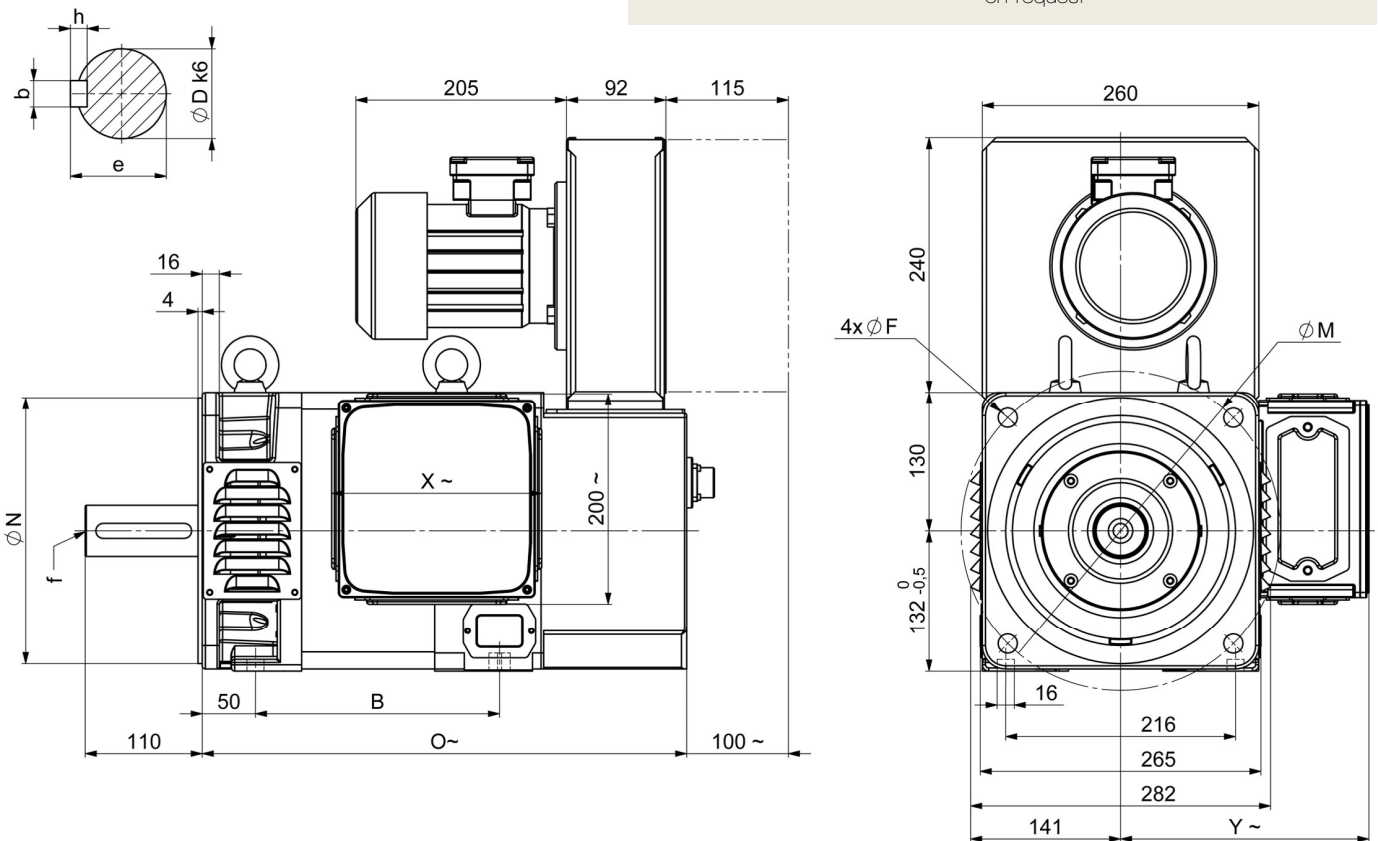
GENERAL SPEED IE4 SYNCHRONOUS MOTORS

OVERVIEW

Rev. 1.0



IP PROTECTION	IP23
POLES	2p=4
THERMAL PROTECTION TYPE	PT100 (and other on request)
BALANCING, VIBRATION GRADE (EN 60034-14 / VDE 0530 part 14)	A (B on request)
INSULATION CLASS	F
COOLING METHOD	IC06 (with filter on request)
STANDARD FAN DETAILS	3x230/400Vac 50Hz 1,9/1,1A
Amb. Cond.	0 + 40°C (32 + 104°F) 1000m ASL
TRANSDUCER	ENCODER OR RESOLVER (on request)
MOUNTING FORM	B3, B35, or other on request
BRAKE	up to 300 Nm (on request)
DE BEARING	BALL (ROLLER on request)
NDE BEARING	BALL
MAX ABSOLUTE SPEED	2700 r.p.m.
PAINTING SYSTEM	NITRO, POLYURETHANIC, C5M, on request



VARIABLES DIMENSIONS BY SIZE

SIZE	B	O
132K.17	272	505
132K.21	307	540
132K.28	377	610
132K.35	447	680

FLANGE

M	N	F
265	230	14
300	250	18

SHAFT AND KEYWAY

D	bxh	e	f
48	14x9	51,5	M16

unit [mm]

400V SUPPLY STANDARD WINDING CODES

Speed Frequency	Type	Rotor Inertia	Max. absolute torque at 400V	Rated torque	Rated power	Rated voltage	Rated current	power factor	Efficiency
rpm Hz		Kgm ²	Nm	Nm	kW	V	A	cos ϕ	η
800 26,7Hz	132K.17	0,07	450	180	15,0	370	28	0,97	0,865
	132K.21	0,08	530	215	18,0	365	33	0,98	0,874
	132K.28	0,11	700	300	25,0	360	45	0,99	0,894
	132K.35	0,14	900	360	30,0	360	55	0,98	0,897
1500 50Hz	132K.17	0,07	450	180	28,3	370	50	0,97	0,915
	132K.21	0,08	530	215	33,8	350	62	0,97	0,920
	132K.28	0,11	700	285	44,8	345	82	0,98	0,930
	132K.35	0,14	900	350	55,0	360	97	0,98	0,935
2250 75Hz	132K.17	0,07	450	175	41,3	350	75	0,98	0,933
	132K.21	0,08	530	205	48,3	350	87	0,98	0,937
	132K.28	0,11	700	275	65,0	340	120	0,98	0,943
	132K.35	0,14	900	335	79,0	375	133	0,97	0,947

All data outputs are referred to power converter clocking frequency (PWM) >4kHz

Other windings on request